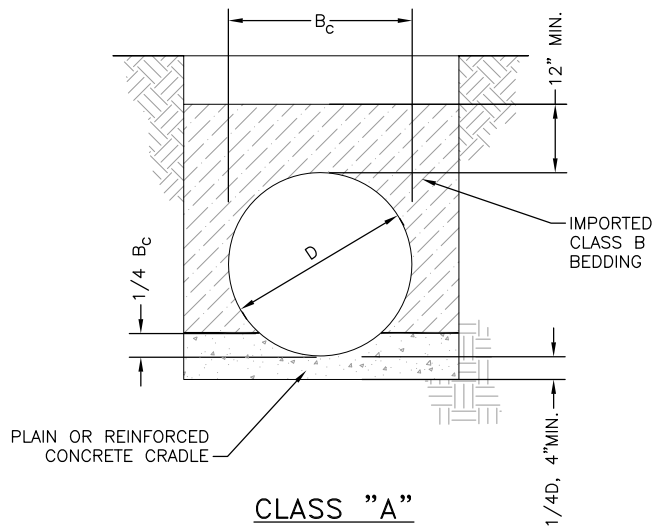
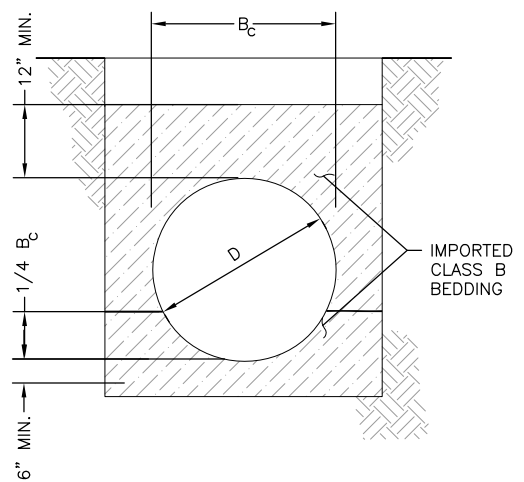


PART II

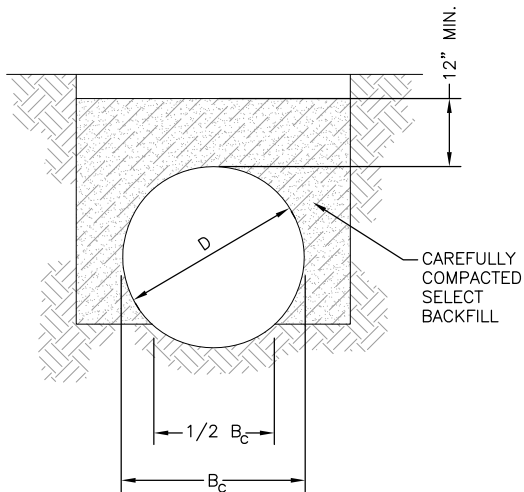
**WASTEWATER COLLECTION SYSTEM
STANDARD DRAWINGS**



CLASS "A"
(CONCRETE CRADLE)
 L.F.=2.8



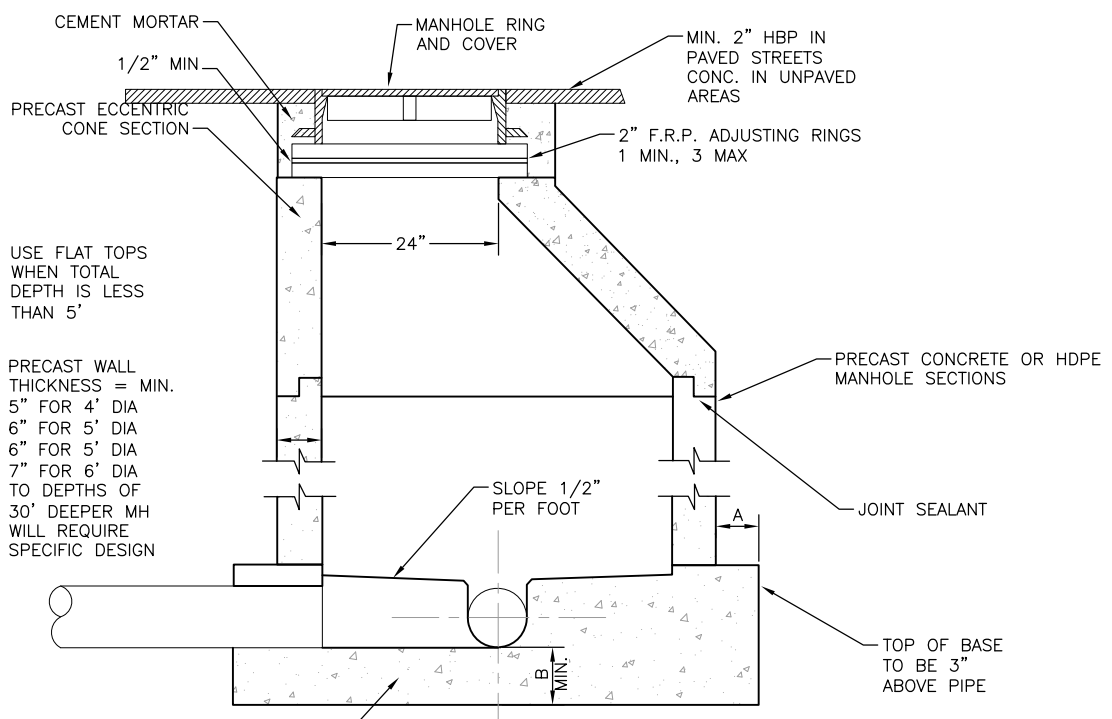
CLASS "B"
STANDARD BEDDING DETAIL
(GRANULAR BASE)
 L.F.=1.9



CLASS "C"
(SHAPED BOTTOM)
 L.F.=1.5

NOTES:

1. FOR ROCK OR OTHER INCOMPRESSIBLE MATERIALS, THE TRENCH SHALL BE OVEREXCAVATED A MINIMUM OF 6" AND REFILLED WITH GRANULAR BEDDING MATERIAL AS DEFINED BY CLASS "B" BEDDING.
2. L.F. = LOAD FACTOR
3. MINIMUM DENSITY FOR CAREFULLY COMPACTED SELECT BACKFILL SHALL BE 95% OF STD. PROCTOR DENSITY OR AS SPECIFIED FOR THE TRENCH BACKFILL WHICHEVER IS GREATER.



USE FLAT TOPS
WHEN TOTAL
DEPTH IS LESS
THAN 5'

PRECAST WALL
THICKNESS = MIN.
5" FOR 4' DIA
6" FOR 5' DIA
6" FOR 5' DIA
7" FOR 6' DIA
TO DEPTHS OF
30' DEEPER MH
WILL REQUIRE
SPECIFIC DESIGN

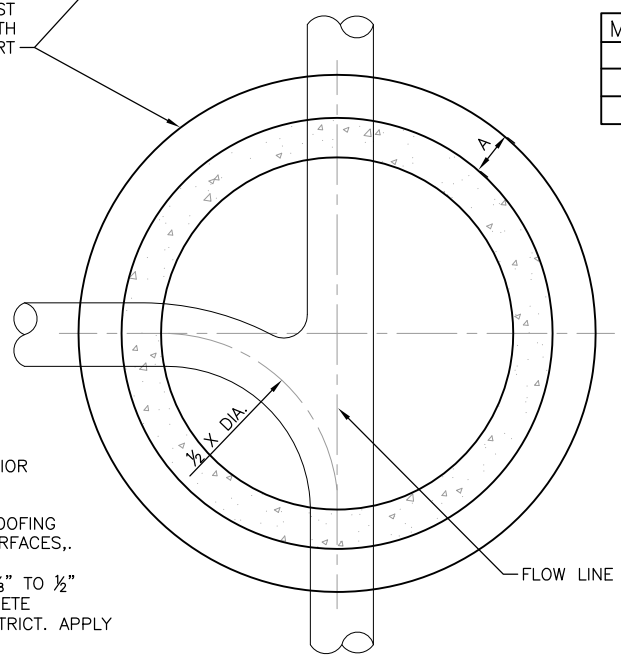
BASE MAY BE PRECAST
CONCRETE WITH
CAST-IN-PLACE INVERT

SEE WW-3 FOR OTHER
DETAILS

M.H. DEPTH	DIMENSION	
	A	B
0' TO 30'	6"	8"
OVER 30'	12"	12"

WATERPROOFING REQUIREMENTS

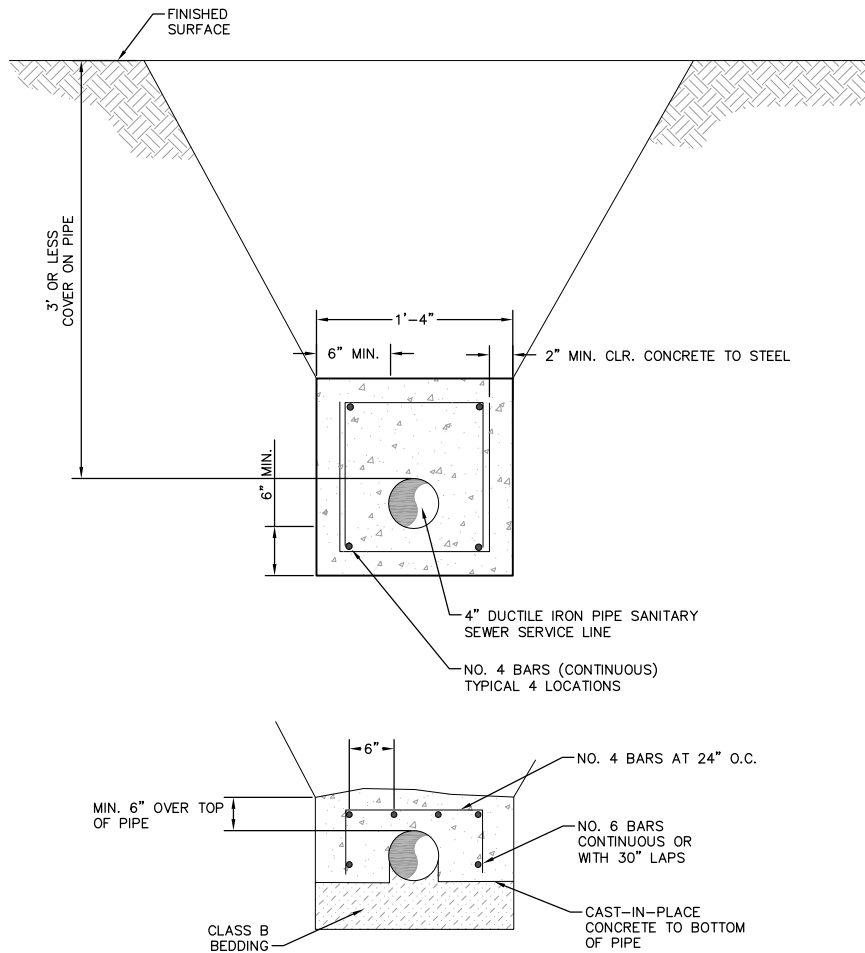
1. APPLY CEMENT GROUT LAYER ($\frac{3}{8}$ " TO $\frac{1}{2}$ " THICK) TO ALL INTERIOR JOINTS ABOVE FLOW CHANNEL.
2. APPLY COAL TAR EPOXY DAMPROOFING TO ALL EXTERIOR CONCRETE SURFACES,.
3. APPLY CEMENT GROUT LAYER ($\frac{3}{8}$ " TO $\frac{1}{2}$ " THICK) TO ALL EXTERIOR CONCRETE SURFACES, AS DIRECTED BY DISTRICT. APPLY PRIOR TO DAMPPROOFING.



SANITARY SEWER MANHOLE

STRASBURG SANITATION
AND WATER DISTRICT

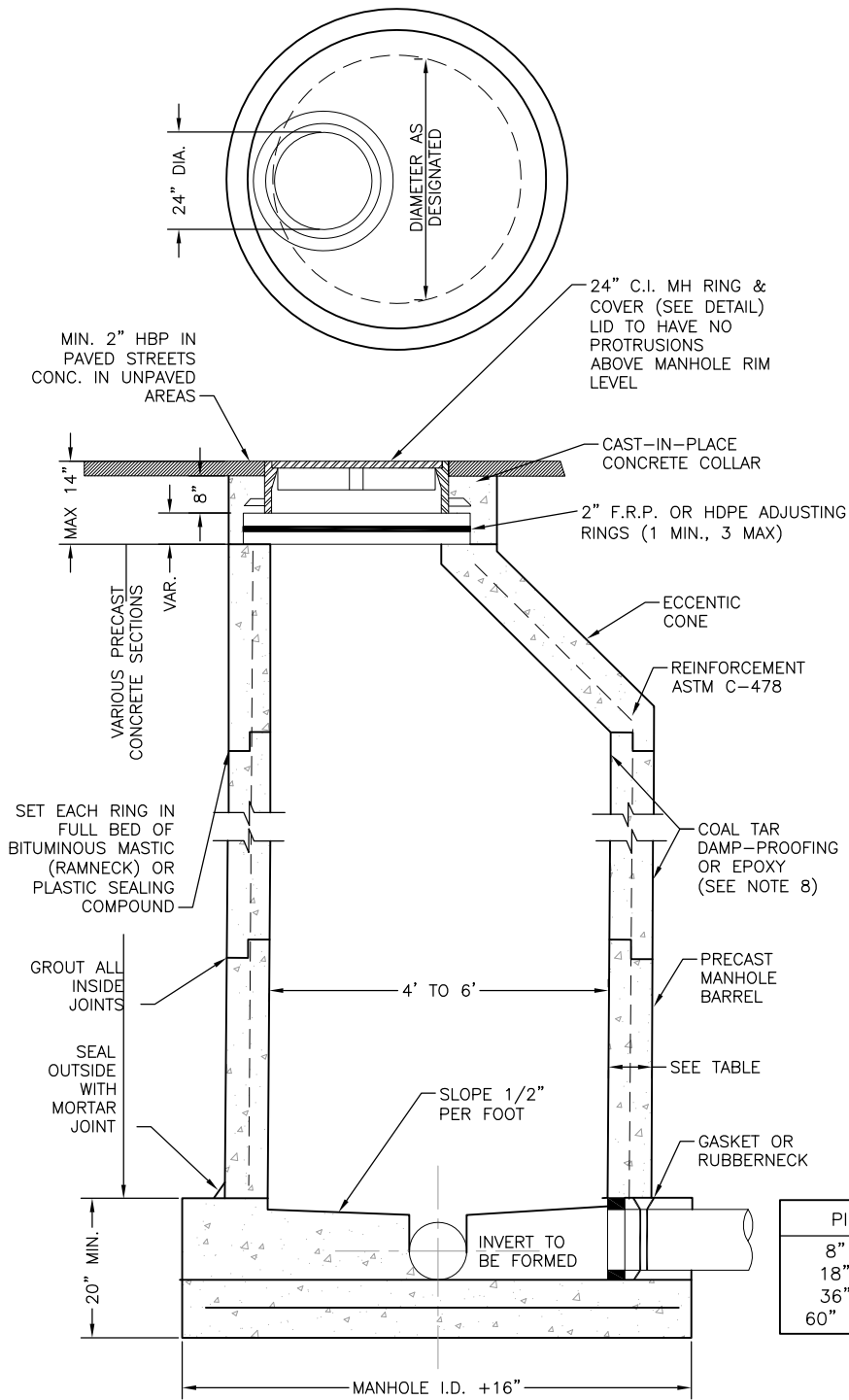
WASTEWATER COLLECTION SYSTEM
STANDARD DRAWINGS



REINFORCED CONCRETE PIPE CAP

NOTES:

1. DUCTILE IRON PIPE WITHOUT CONCRETE ENCASEMENT MAY BE PERMITTED BY THE DISTRICT IF FINAL PIPE COVER IS MORE THAN 3 FEET.
2. CONCRETE ENCASEMENT PER THIS DRAWING IS REQUIRED WITH DUCTILE IRON PIPE WHERE FINAL PIPE COVER IS 3 FEET OR LESS.
3. IF THE CONCRETE ENCASEMENT IS REQUIRED ON A SANITARY SEWER SERVICE LINE, THE PROPERTY OWNER/CUSTOMER IS COMPLETELY RESPONSIBLE FOR OPERATION, MAINTENANCE AND REPLACEMENT OF ANY SEWER SERVICE LINE FROM THE DISTRICT'S SEWER MAIN TO THE STRUCTURE SERVED.
4. THE DISTRICT MAY ACCEPT CONCRETE CAP FOR PIPE PROTECTION IN SPECIAL CONDITIONS.



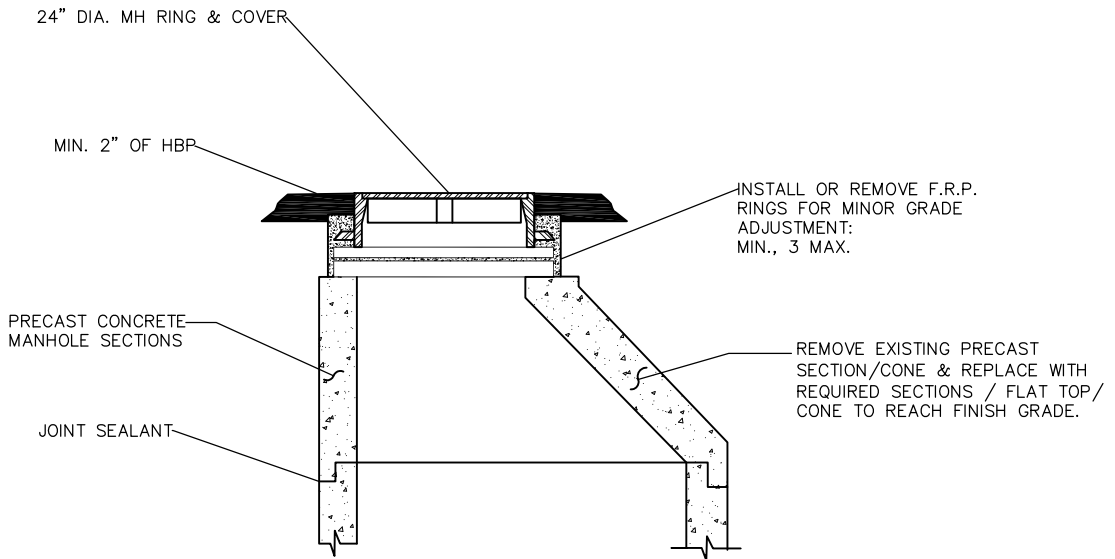
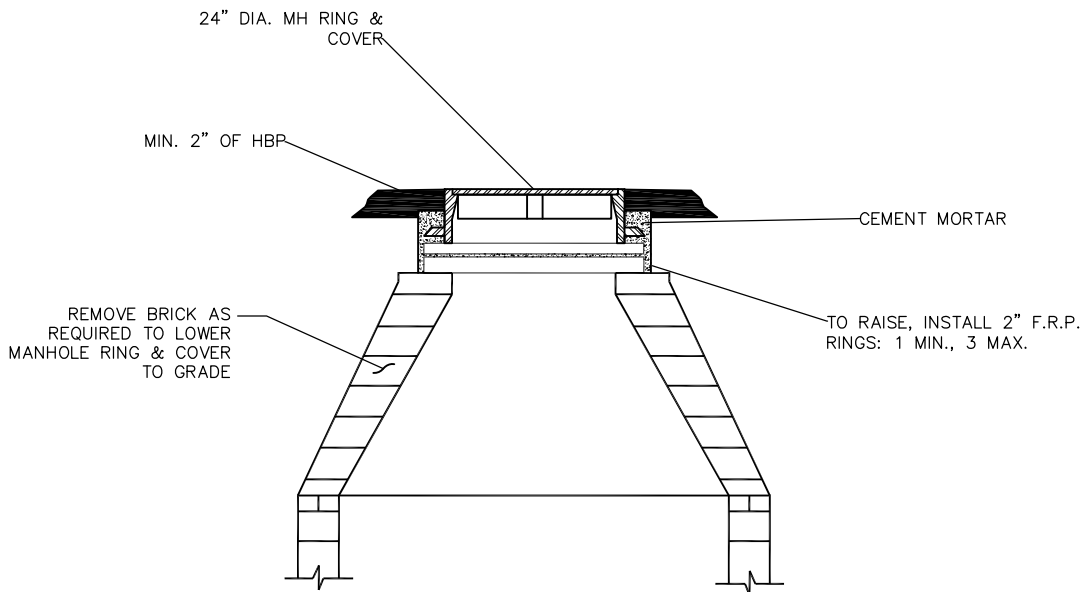
1. MANHOLE BARREL MINIMUM DIAMETER SHALL CONFORM TO TABLE.
2. SHAPING FOR SMOOTH MANHOLE INVERTS MUST BE DONE BY FORMING/SHAPING CONCRETE BASE.
3. PRECAST SECTIONS TO CONFORM TO ASTM C-478.
4. STUB-OUTS SHALL EXTEND A MINIMUM OF 6' PAST MANHOLE O.D. AND BE SATISFACTORILY PLUGGED.
5. CONCRETE MANHOLES MAY BE POURED IN PLACE ONLY WITH PRIOR DESIGN AND INSPECTION APPROVAL.
6. ALL MORTOR GROUT SHALL BE MIXED WITH THE TYPE V CEMENT.
7. APPLY COAL TAR EPOXY DAMP-PROOFING TO ALL EXTERIOR AND INTERIOR CONCRETE SURFACES.
8. CENTER REINF. IN BASE POUR BELOW PIPE O.D. AT FL.
9. ALL EXTERIOR JOINTS SHALL RECEIVE BUTYL RUBBER JOINT WRAP. REFER TO SPECIFICATIONS.

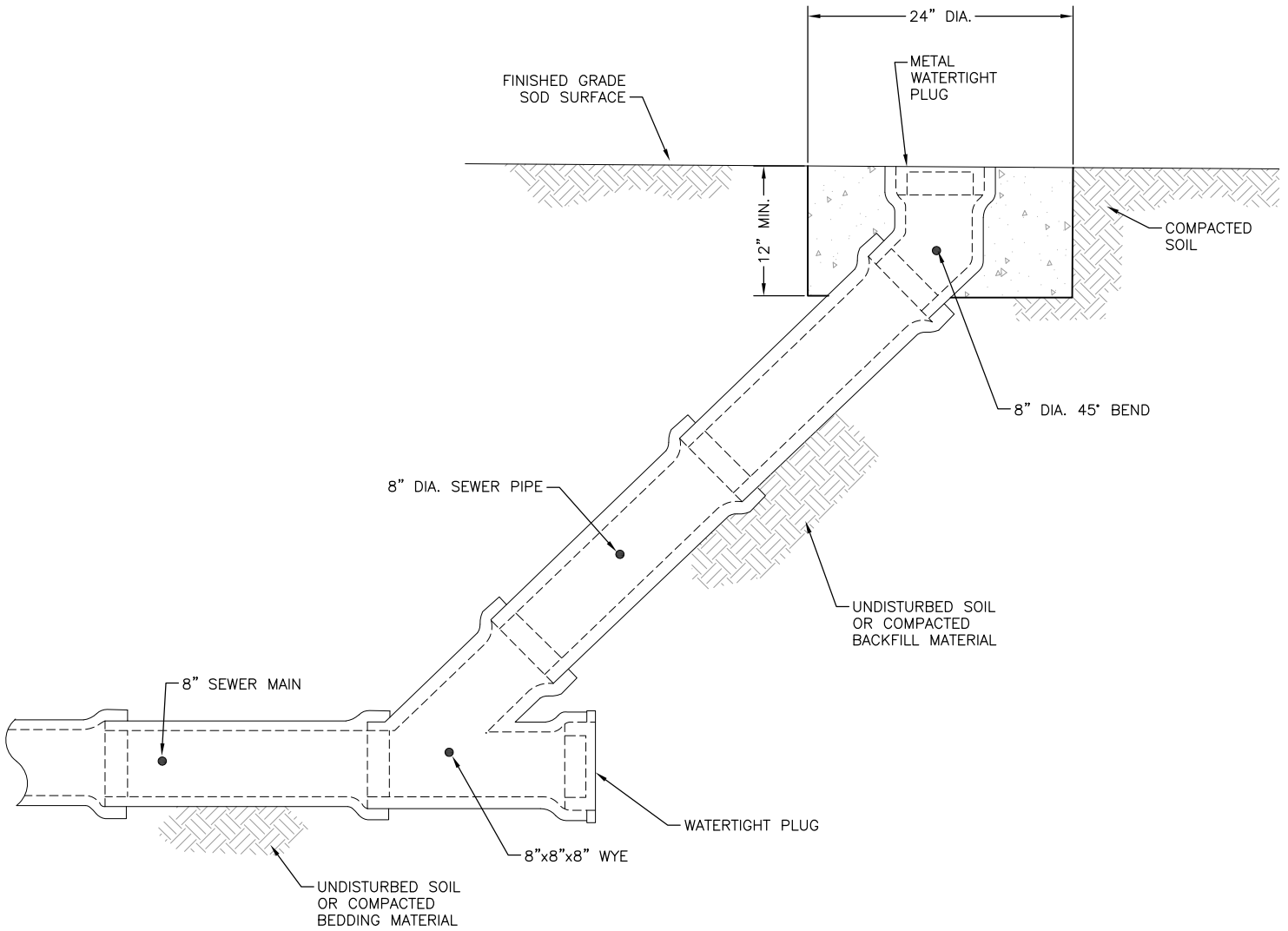
PIPE I.D.	MANHOLE I.D.	WALL
8" TO 15"	4'-0"	5"
18" TO 30"	5'-0"	6"
36" TO 54"	6'-0"	7"
60" & LARGER	SPECIAL DESIGN	

TYPICAL PRECAST MANHOLE DETAIL

STRASBURG SANITATION
AND WATER DISTRICT

WASTEWATER COLLECTION SYSTEM
STANDARD DRAWINGS

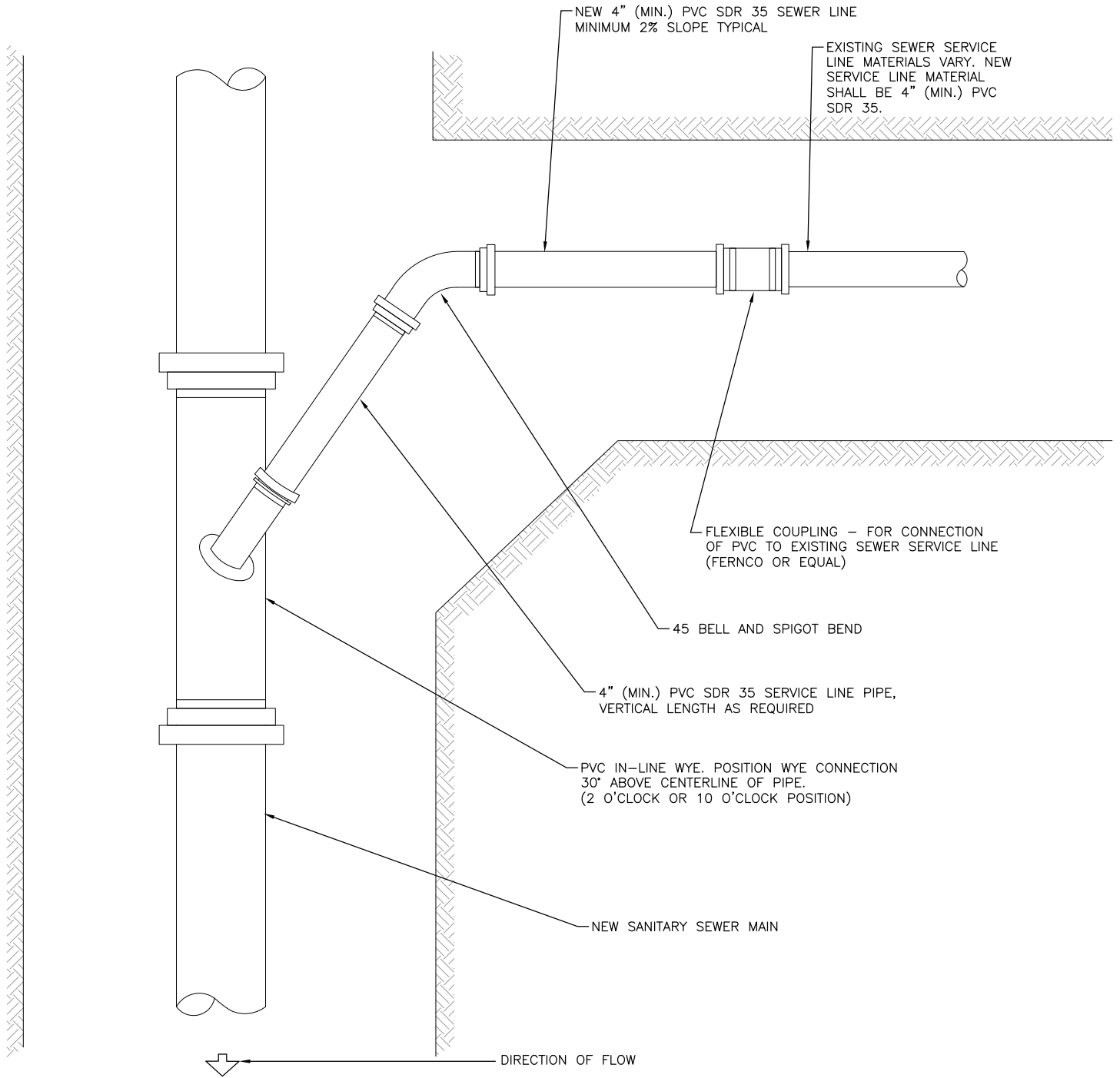




SANITARY SEWER MAIN CLEANOUT

STRASBURG SANITATION AND WATER DISTRICT

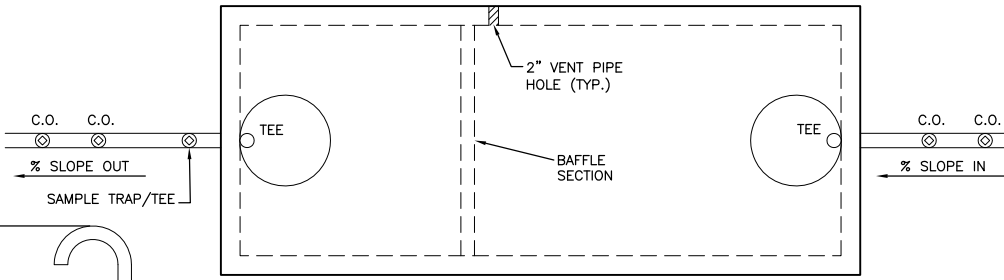
WASTEWATER COLLECTION SYSTEM STANDARD DRAWINGS



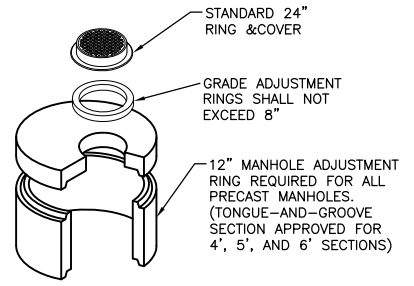
SANITARY SEWER SERVICE CONNECTION

STRASBURG SANITATION
AND WATER DISTRICT

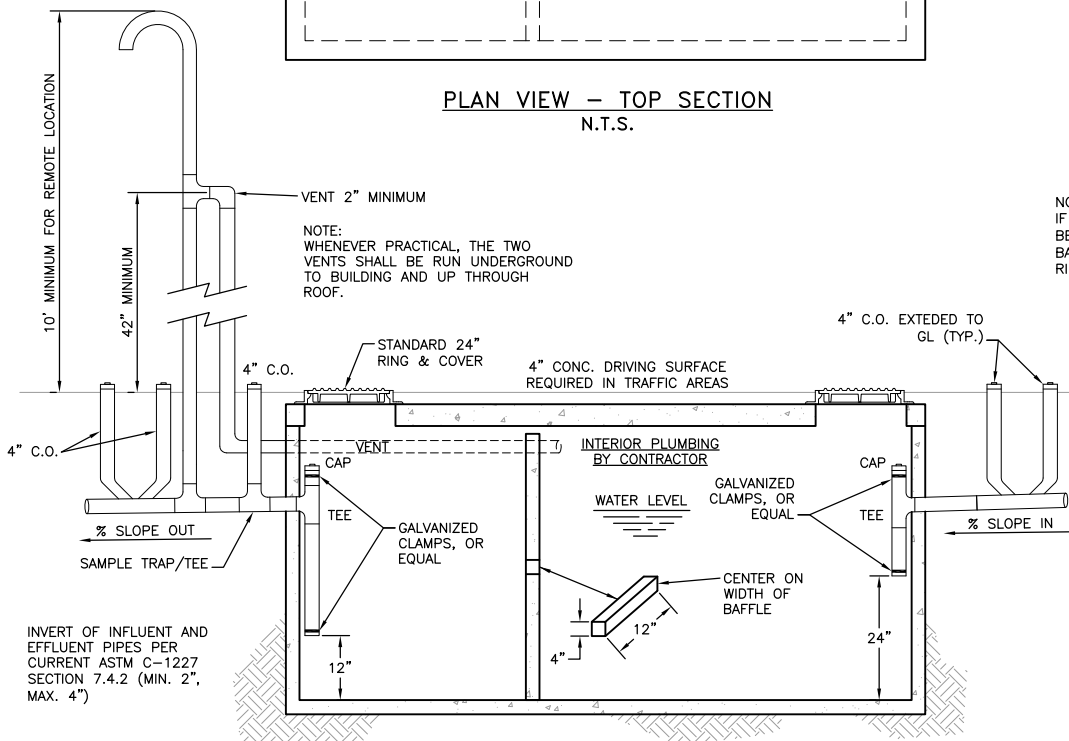
WASTEWATER COLLECTION SYSTEM
STANDARD DRAWINGS



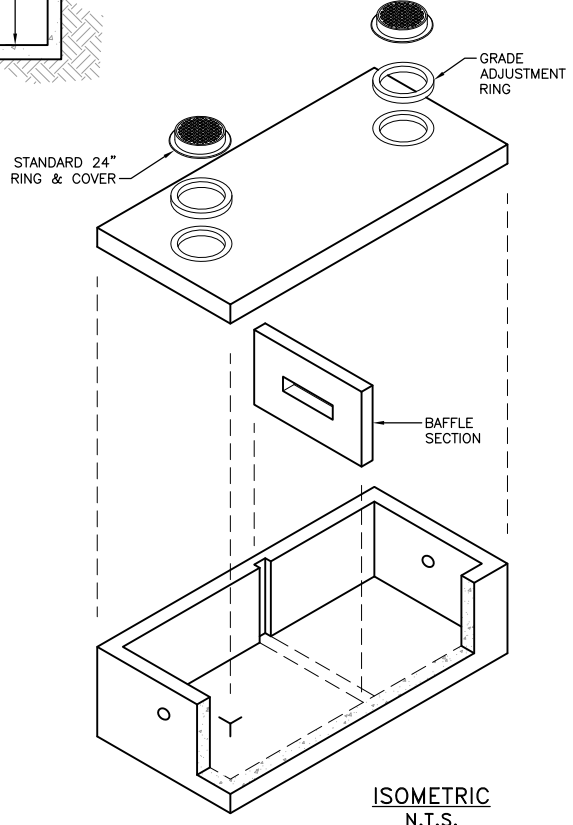
PLAN VIEW - TOP SECTION
N.T.S.



NOTE:
IF TOP OF GREASE INTERCEPTOR IS MORE THAN 8" BELOW FINISHED GRADE, 4" DIAMETER MANHOLE BARREL SECTION(S) WILL BE REQUIRED TO BRING RING AND COVER TO GRADE.



SECTION
N.T.S.



ISOMETRIC
N.T.S.

TYPICAL GREASE INTERCEPTORS

SIZE (GAL.)	USE	LENGTH	WIDTH	HEIGHT
800	NON-TRAFFIC	96"	48"	73"
1000	NON-TRAFFIC	102"	58"	73"
1000	TRAFFIC	96"	72"	87.5"
1500	NON-TRAFFIC	126"	68"	73"
1500	TRAFFIC	162"	84"	65"
2250	NON-TRAFFIC	144"	78"	79"
2500	TRAFFIC	162"	84"	103"
3500	TRAFFIC	162"	84"	103"
5000	TRAFFIC	162"	84"	147"

APPROX. SIZE OF GREASE INTERCEPTORS
CHECK WITH MANUFACTURER FOR CORRECT DIMENSIONS AND INVERTS

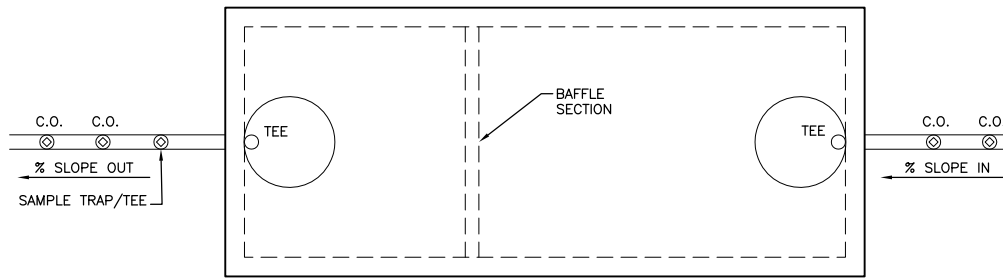
NOTES:

1. TO BE READ IN CONJUNCTION WITH DISTRICT WASTEWATER SPECIFICATIONS AND INTERNATIONAL PLUMBING CODE.
2. SPECIFIC SIZE APPLICATION OF THE GREASE INTERCEPTOR TO BE DETERMINED BY DISTRICT.

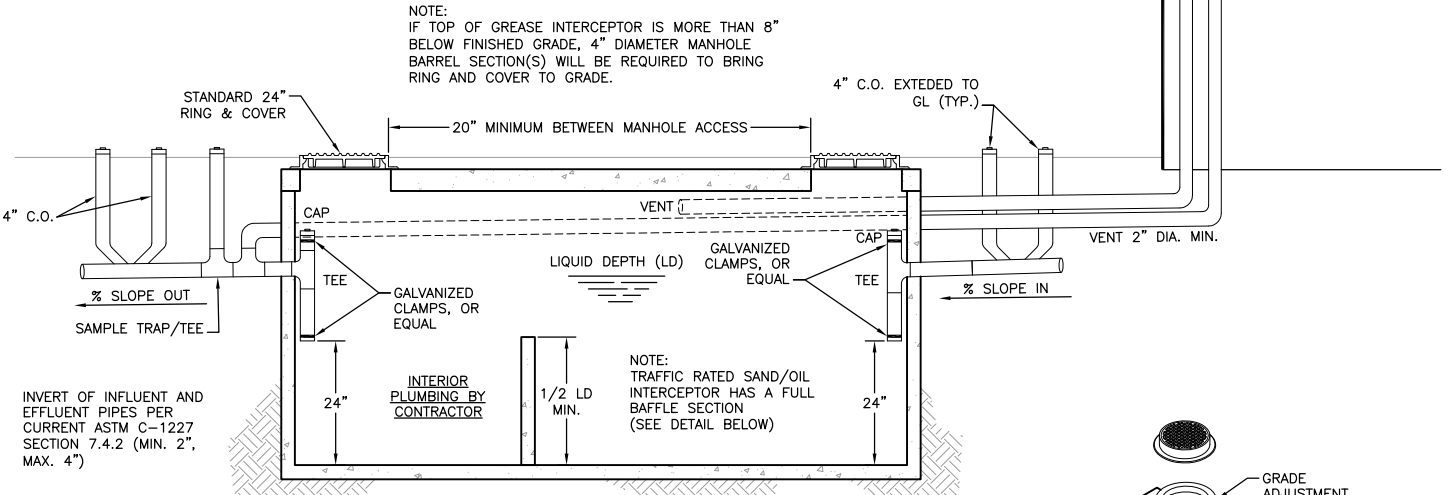
GREASE INTERCEPTOR

STRASBURG SANITATION
AND WATER DISTRICT

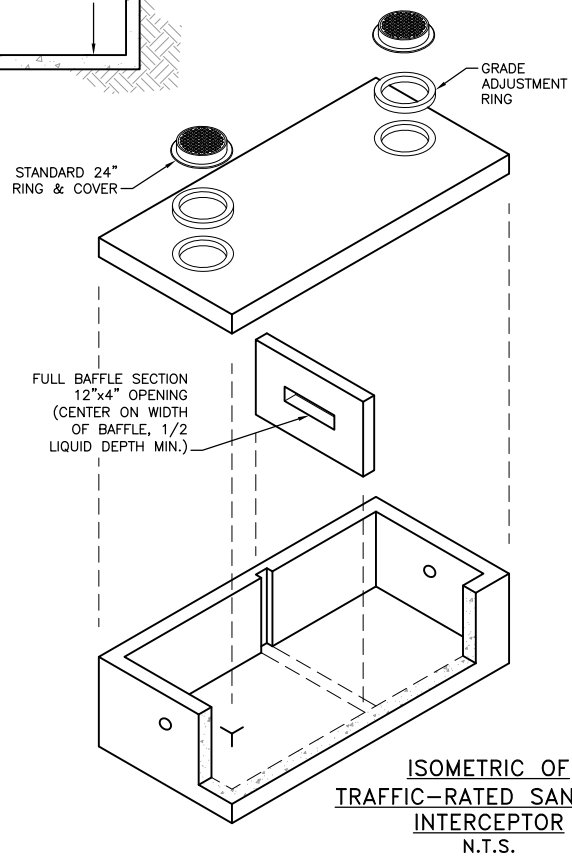
WASTEWATER COLLECTION SYSTEM
STANDARD DRAWINGS



PLAN VIEW - TOP SECTION
N.T.S.



SECTION
N.T.S.



ISOMETRIC OF
TRAFFIC-RATED SAND/OIL
INTERCEPTOR
N.T.S.

TYPICAL SAND/OIL INTERCEPTORS

SIZE (GAL.)	USE	LENGTH	WIDTH	HEIGHT
500	TRAFFIC	72" OD x 74" (ID=60")		
1000	NON-TRAFFIC	102"	58"	77"
1000	TRAFFIC	96"	72"	86"
1500	NON-TRAFFIC	126"	68"	77"
1500	TRAFFIC	162"	84"	64"
2250	NON-TRAFFIC	144"	78"	82"
2500	TRAFFIC	162"	84"	102"

APPROX. SIZE OF SAND/OIL INTERCEPTORS
CHECK WITH MANUFACTURER FOR CORRECT DIMENSIONS AND INVERTS

NOTES:

1. TO BE READ IN CONJUNCTION WITH DISTRICT WASTEWATER SPECIFICATIONS AND INTERNATIONAL PLUMBING CODE.
2. SPECIFIC SIZE APPLICATION OF THE GREASE INTERCEPTOR TO BE DETERMINED BY DISTRICT.
3. INTERIOR PIPING TO BE STRAPPED AT BOTTOM WITH GALVANIZED CLAMPS, UNISTRUT, OR EQUAL.
4. VENTS SHALL BE CONSTRUCTED ON THE OUTSIDE OF THE TANK.